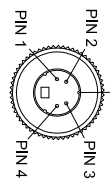
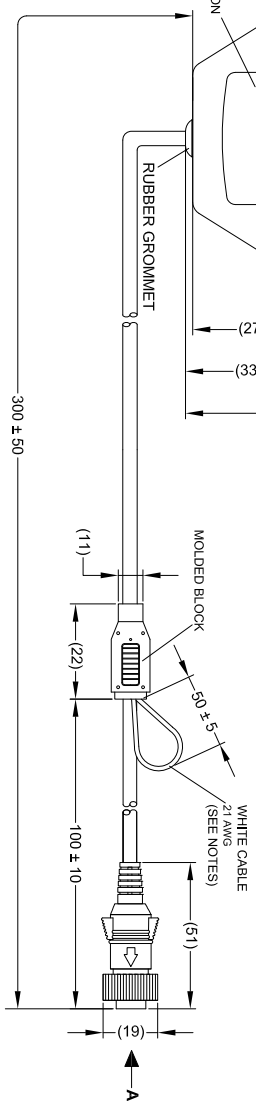
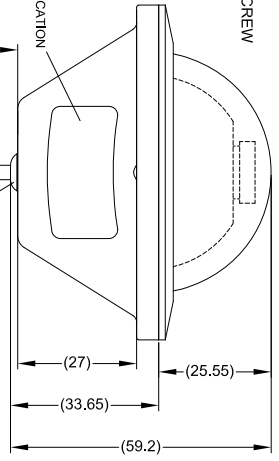
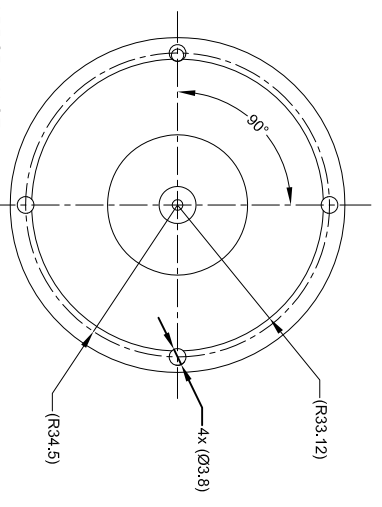
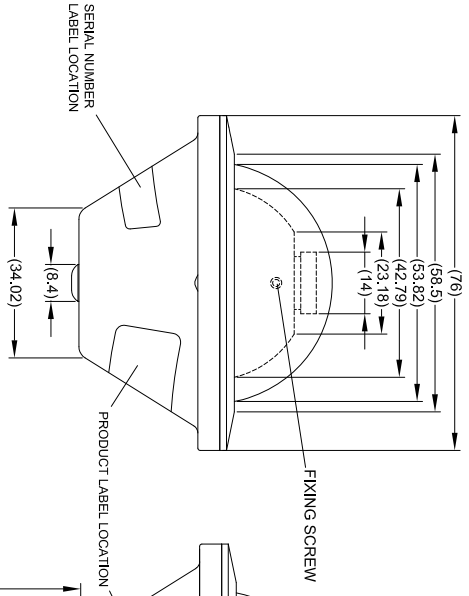
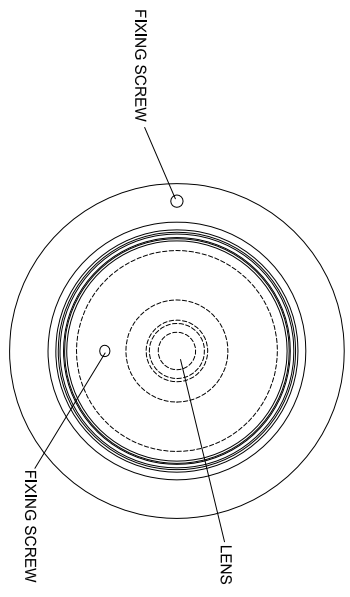


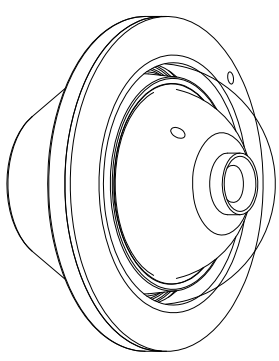
Revision Notes: _____

Checked By: - - Approved By: - - Date Released: - -



4 PIN MALE MINI DN MATING FACE

PIN #	DESCRIPTION
1	VIDEO
2	NO CONNECTION
3	NO CONNECTION
4	12VDC
5	GROUND



- NOTES:
1. CUT WHITE CABLE FOR MIRROR IMAGE
 2. REFER TO "PRODUCT SPECIFICATION" FOR MORE DETAIL.S
 3. FOR PRODUCT LABEL REFER TO LATEST REVISION OF BE-001853-XX-11.
 4. FOR SERIAL NUMBER LABEL REFER TO LATEST REVISION OF DRAWING BE-001698-XX-11.
 4. MAXIMUM MOUNTING SCREW HEAD DIAMETER TO BE USED IS 6MM COUNTERSUNK.

PROPRIETARY NOTICE
 THIS DESIGN AND TECHNICAL INFORMATION APPEARING ON THIS DRAWING IS THE PROPERTY OF BRIGADE ELECTRONICS, AND IS DISCLOSED IN CONFIDENCE. IT IS NOT TO BE COPIED, REPRODUCED, REVISED TO OR EXPROPRIATED BY OTHERS, EITHER IN WHOLE OR IN PART WITHOUT THE EXPRESS WRITTEN CONSENT OF BRIGADE ELECTRONICS.



Assembly PI Approval		Approved by		Checked by		Drawn by	
DKERAL		JNEWMAN		L. BRAR			
Units		Scale		Released		Assembly Ref	
mm		N/A		19/12/11		-	
Status		Stock Code		MD-51-C			
RELEASED		4050		BE-001866-00-11			

